

APPLICANT'S PROPERTY BOUNDARY

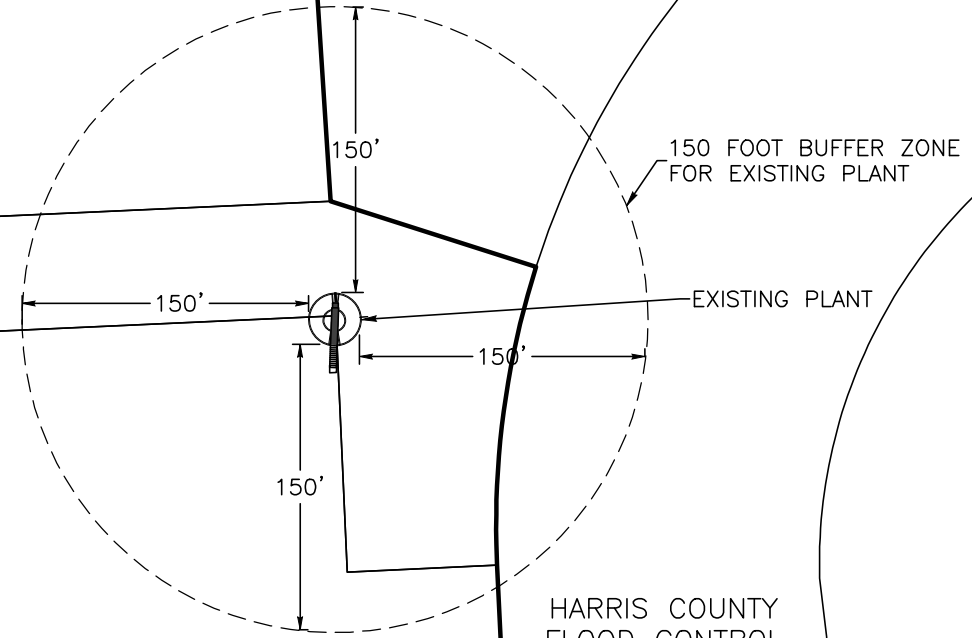
ASMITA REAL PROPERTY INC.
RES B BLK 1
HOLY TRINITY EPISCOPAL SCHOOL OF
GREATER HOUSTON

HOLY TRINITY EPISCOPAL SCHOOL
RES A BLK 1
HOLY TRINITY EPISCOPAL SCHOOL OF GREATER HOUSTON

HOLY TRINITY EPISCOPAL SCHOOL
RES C BLK 1
HOLY TRINITY EPISCOPAL SCHOOL OF GREATER HOUSTON

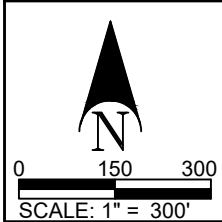
HOLY TRINITY EPISCOPAL SCHOOL
RES D BLK 1
HOLY TRINITY EPISCOPAL SCHOOL OF GREATER HOUSTON

HARRIS COUNTY
FLOOD CONTROL
DISTRICT DITCH



ORIGINAL LAYOUT SIZE - 8.5X11

F:\12561\12561 HOLY TRINITY EPISCOPAL SCHOOL - WWTP\04 CAD\CAD-12561\MISC\X-BUFFER MAP.DWG



PROJECT NAME:	HOLY TRINITY EPISCOPAL SCHOOL WWTP
PROJECT NUMBER:	12561
PREPARED FOR:	HTES
DATE:	DECEMBER 22, 2020

ATTACHMENT I - BUFFER ZONE MAP



BLEYL ENGINEERING
TEXAS FIRM REGISTRATION NO. F-678
WWW.BLEYLENGINEERING.COM

100 NUGENT STREET,
CONROE TEXAS 77301
PHONE 936-441-7833

APPLICANT'S PROPERTY BOUNDARY

ASMITA REAL PROPERTY INC.
RES B BLK 1
HOLY TRINITY EPISCOPAL SCHOOL OF
GREATER HOUSTON

HOLY TRINITY EPISCOPAL SCHOOL
RES A BLK 1
HOLY TRINITY EPISCOPAL SCHOOL OF GREATER HOUSTON

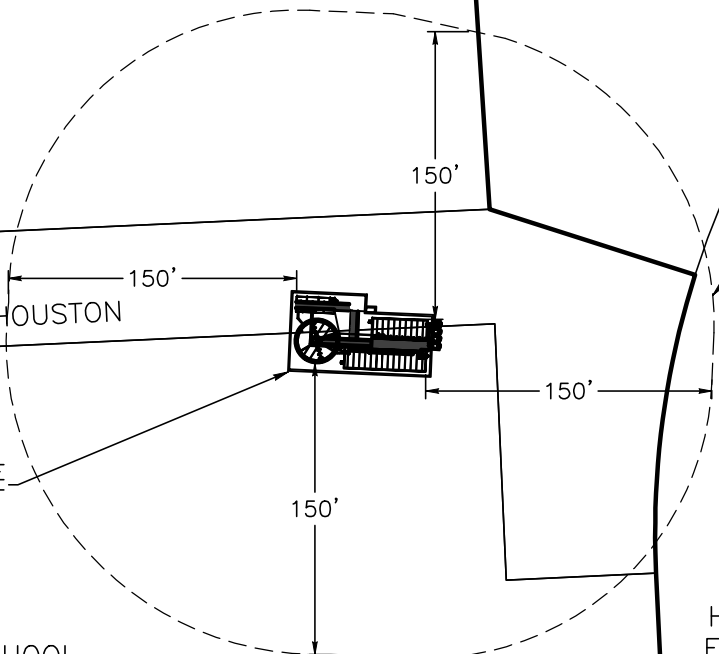
HOLY TRINITY EPISCOPAL SCHOOL
RES C BLK 1
HOLY TRINITY EPISCOPAL SCHOOL OF GREATER HOUSTON

INTERIM II AND FINAL PHASE
TREATMENT PLANT

HOLY TRINITY EPISCOPAL SCHOOL
RES D BLK 1
HOLY TRINITY EPISCOPAL SCHOOL OF GREATER HOUSTON

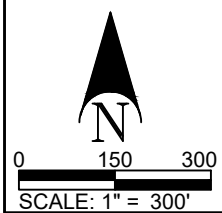
150 FOOT BUFFER ZONE
FOR INTERIM II AND FINAL PHASE

HARRIS COUNTY
FLOOD CONTROL
DISTRICT DITCH



ORIGINAL LAYOUT SIZE - 8.5X11

F:\12561\12561 HOLY TRINITY EPISCOPAL SCHOOL - WWTP\04 CAD\CD-12561\MISC\X-BUFFER MAP\INTERIM AND FINAL PHASE.DWG



PROJECT NAME:	HOLY TRINITY EPISCOPAL SCHOOL WWTP
PROJECT NUMBER:	12561
PREPARED FOR:	HTES
DATE:	DECEMBER 22, 2020

ATTACHMENT I - BUFFER ZONE MAP



BLEYL ENGINEERING
TEXAS FIRM REGISTRATION NO. F-678
WWW.BLEYLENGINEERING.COM

100 NUGENT STREET,
CONROE TEXAS 77301
PHONE 936-441-7833